

**TEST MODE 55# PROGRAMMING**  
**(MOTOROLA CELLULAR HANDSET REQUIRED)**

1. Power down unit and insert jumper **JP0** (upper left-hand corner of PCB).
2. Power up unit *without* the cellular handset being attached.
3. Wait about 30 seconds for unit to completely power up.
4. Attach cellular handset to the transceiver and power handset up.
5. The handset will display randomly flashing numbers.
6. Press the # key, the handset will display **US'**, now press **55 #**.
7. The handset will display the System ID (SID) Number.

Typically, the only programming changes required are as follows:

Entry **01**            5 Digit System ID.  
 Entry **03**            10 Digit Cellular Phone Number.  
 Entry **06**            2 Digit Group ID Mark.

The star key (\*) advances you through the programming locations.  
 Numbers in **BOLD** are Factory Defaults.

**NAM Location:**

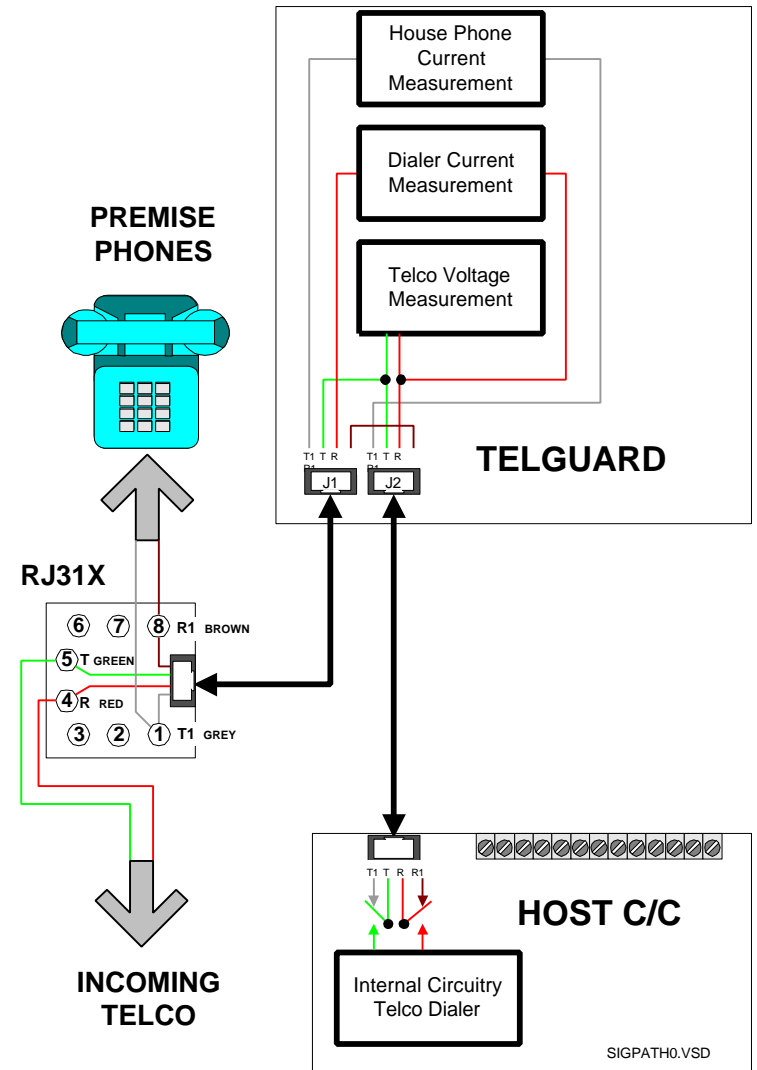
**Example:**

<b>01</b> - System ID Number (SID)	<b>00042</b>	Press *
<b>02</b> - A Option Byte	<b>10101001</b>	Press *
<b>03</b> - 10 Digit Cellular Phone Number	<b>941-910-9911</b>	Press *
<b>04</b> - Station Class Mark (SCM)	<b>08</b>	Press *
<b>05</b> - Access Overload Class (AOC)	<b>15</b>	Press *
<b>06</b> - Group ID Mark (GIM)	<b>10</b>	Press *
<b>07</b> - Security Code	<b>000000</b>	Press *
<b>08</b> - Unlock Code	<b>123</b>	Press *
<b>09</b> - Service Level	<b>004</b>	Press *
<b>10</b> - B Option Byte	<b>00000101</b>	Press *
<b>11</b> - C Option Byte	<b>00000000</b>	Press *
<b>12</b> - Initial Paging Channel (IPCH)	<b>0333 or 0334</b>	Press *
<b>13</b> - Initial Paging Channel for System A	<b>0333</b>	Press *
<b>14</b> - Initial Paging Channel for System B	<b>0334</b>	Press *
<b>15</b> - Number of Dedicated Paging Channels	<b>021</b>	Press *
<b>16</b> - D Option Byte	<b>10111011</b>	Press *

8. The handset will display “ / “ in the upper right-hand corner of the display.
9. Power down the handset and unplug it.
10. Put jumper **JP4 In** for B carrier. Put jumper **JP4 Out** for A carrier.
11. Remove jumper **JP0** and reset unit by powering it down and back up again.

**TELGUARD CLASSIC**  
**QUICK INSTALLATION GUIDE**  
**MODELS: T-1630M, T-1630MA, T-1110M, T-1210M, T-3100UL**

**WIRING DIAGRAM**



The TELGUARD has to be the first device on the incoming telco line. No telco device can be in front of or in parallel with the TELGUARD or a Line Fault condition will occur.

## SAVE A TRIP!

### CONFIRM THAT CELLULAR SERVICE HAS BEEN ACTIVATED PRIOR TO INSTALLATION.

#### FIVE STEP INSTALLATION SUMMARY

##### STEP 1: Confirm Voice Communication Over Cellular.

(Reference Step 1 in Installation Manual)

- (1) Locate unit.
- (2) Connect and temporarily place antenna.
- (3) Connect lineman's buttset or cellular handset.
- (4) Measure maximum signal strength for best antenna placement.
- (5) Make call over cellular to ensure minimum noise level.
- (6) Remove lineman's buttset/cellular handset.

##### STEP 2: Transmit Alarm Signals Over Cellular.

(Reference Step 2 in Installation Manual)

- (1) Prepare C/C.
- (2) Connect C/C to TELGUARD Jack 2.
- (3) Verify cellular transmissions.

##### STEP 3: Connect Incoming Telco Line.

(Reference Step 3 in Installation Manual)

- (1) Be sure TELGUARD is the first device on the incoming phone line.
- (2) Connect RJ31X to TELGUARD Jack 1 and check switch to telco.
- (3) Disconnect incoming telco at Jack 1 and check switch to cellular.
- (4) Reconnect incoming telco at Jack 1 and check switch back to telco.

##### STEP 4: Connect Supervisory Trip Outputs.

(Reference Step 4 in Installation Manual)

- (1) Decide on a supervisory trip output strategy.
- (2) Connect trip outputs.
- (3) Check trips to C/C.

##### STEP 5: Complete the Installation.

(Reference Step 5 in Installation Manual)

- (1) Enable the Automatic Self-Test (if appropriate).
- (2) Enable the Comms Fail Feature (if appropriate).
- (3) Check all jumper settings.
- (4) Permanently mount and properly ground the TELGUARD chassis.
- (5) Disconnect the 10 dB attenuator (if used).

## BUTTSET NAM PROGRAMMING

1. Power unit down, insert jumper **JP8**, power unit back up again.
2. Clip buttset on **T** and **R** Test Points on right hand edge of PCB.
3. Once LEDs start to alternate, put buttset in talk mode and press **8**.
4. Wait for **ASTC** LED to come on (you are in location **01**).

### NAM Location:

<u>NAM Location:</u>	<u>Example:</u>	
<b>01</b> - System ID Number (SID)	00042	Press **
<b>02</b> - Cellular Area Code	352	Press **
<b>03</b> - Cellular Phone Number	111-0111	Press **
<b>04</b> - Station Class Mark	08	Press **
<b>05</b> - Access Overload Class	15	Press **
<b>06</b> - Group ID Number	10	Press **
<b>07</b> - Security Code	000000	Press **
<b>08</b> - Unlock Code	123	Press **
<b>09</b> - Initial Paging Channel <sup>Note</sup>	0334 or 0333	Press **
<b>10</b> - Other Options	011100	Press **
<b>11</b> - More Options	1101	Press **

<sup>Note</sup> - 0334 (B carrier) 0333 (A carrier)

5. Press \*\* on buttset.
6. Wait for LEDs to alternate, power unit down and remove jumper **JP8**.
7. Put jumper **JP4 IN** for B carrier. Put jumper **JP4 Out** for A carrier.
8. Power unit back up again.

JUMPER FUNCTIONS	
<b>JP0</b>	<input type="checkbox"/> <b>OUT = NORMAL</b> IN = TRANSCEIVER TEST MODE.
<b>JP1</b>	<input type="checkbox"/> <b>OUT = NORMAL</b> IN = LED SIGNAL STRENGTH MODE.
<b>JP2</b>	<input type="checkbox"/> <b>OUT = 30 SEC.</b> LFC TRIP DELAY. IN = 60 SEC.
<b>JP3</b>	<input type="checkbox"/> <b>IN = 60 SEC.</b> NSC TRIP DELAY. OUT = 30 SEC.
<b>JP4</b>	<input type="checkbox"/> <b>IN = SCAN B</b> CELLULAR PROVIDER. OUT = SCAN A
<b>JP5</b>	<input type="checkbox"/> <b>OUT = 30 SEC.</b> CFC BETWEEN EVENTS. IN = 60 SEC.
<b>JP6 + JP7 = CFC ATTEMPTS</b>	
<input type="checkbox"/> <b>OUT + OUT</b>	CFC DISABLED.
<input type="checkbox"/> <b>IN + OUT</b>	CFC SWITCH AFTER 4 ATTEMPTS.
<input type="checkbox"/> <b>OUT + IN</b>	CFC SWITCH AFTER 4 ATTEMPTS.
<input type="checkbox"/> <b>IN + IN</b>	CFC SWITCH AFTER 8 ATTEMPTS.
<b>JP8</b>	<input type="checkbox"/> <b>OUT = NORMAL</b> IN = TELEPHONE PROGRAMMING MODE
<b>JP9 + JP10 = AUTO SELF TEST FREQ</b>	
<input type="checkbox"/> <b>OUT + OUT</b>	AUTO SELF TEST DISABLED.
<input type="checkbox"/> <b>IN + OUT</b>	AUTO SELF TEST WEEKLY.
<input type="checkbox"/> <b>OUT + IN</b>	AUTO SELF TEST WEEKLY.
<input type="checkbox"/> <b>IN + IN</b>	AUTO SELF TEST EVERY 4 WEEKS.
<b>JP11</b>	<input type="checkbox"/> <b>OUT = NO DELAY</b> ASTC INITIAL DELAY. IN = 12 HOURS.
<b>JP12</b>	<input type="checkbox"/> <b>OUT = NORMAL</b> IN = CELSWITCH.
<b>JP13</b>	<input type="checkbox"/> <b>OUT = NORMAL</b> IN = DELETE 1st DIGIT ON CELLULAR
<b>JP14</b>	<input type="checkbox"/> <b>OUT = DIAL THROUGH MODE</b> IN = MEMORY RECALL MODE
<b>JP15</b>	<input type="checkbox"/> <b>OUT = NORMAL</b> IN = FORCED CELLULAR. FACTORY USE ONLY
<b>JP16</b>	<input type="checkbox"/> <b>IN = TELCO</b> OUT = PBX.

NOTE: BOXED AREA REPRESENTS FACTORY DEFAULT SETTING.